



**Brief introduction :**

The silent resilient check valve is applied to the vertical pipelines in which medium flow runs upwards and the back-wards flowing are effectively stopped. It could be widely used in water-supply system and drain system and it works silence.

**Features:**

Professional design: The inner cavity of valve is designed as streamline shape, which can effectively stop the turbulence. The spherical surface is introduced to form the front of disc and cone contact for the seating couple; these structures will extremely the shock force of medium and decrease the resistance coefficient of flow. Thin shell structures is employed when design the diversion component to ensure the laminar flow and greatly drop the weight. The reasonable open height and cavity space enable the obtaining of maximum area of flow section. It can avoid occurring of the air chamber; the valve parameter Cv is improved.

Excellent proof corrosion characteristics: Internal and external epoxy resin coating.

Reliable hygiene principles: Epoxy resin and rubber comply with hygiene standard, the trim, such as disc, spring, etc., are made of stainless steel.

**PRODUCT - CHECK VALVE**

**Silent Lift Check Valve**

**Main part & material**

Body, Line: GGG50 with internal and external epoxy resin coating

Disc: GGG50 or casting steel

Guiding stem, spring: 1Cr17Ni12Mo2Ti, Stainless steel

Guiding bushing: Bronze CuAl10Fe3

Flange washer, O-ring: NBR, EPDM or FPM

**Technical Specification**

-Nominal diameter : 50~350mm

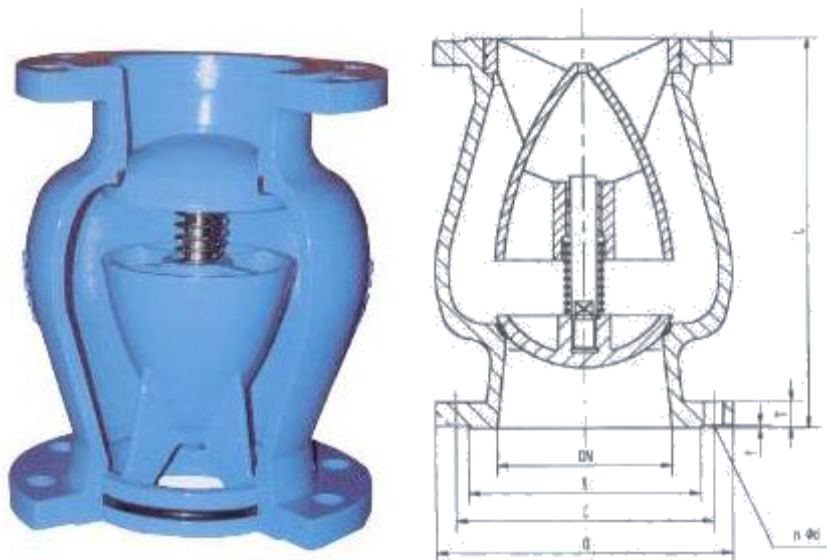
-Nominal pressure : 1.0/1.6Mpa-Strength testing pressure : 1.5/2.4Mpa

-Sealing testing pressure : 1.1/1.76Mpa

**Executive standard**

<b>Design standard</b>	AWWA A508
<b>Face to face</b>	Enterprise standard
<b>Flange end</b>	DIN 2501
<b>Test &amp; inspection</b>	JG/T 9092-1999
<b>Working temperature</b>	NBR<80 °C ; EPDM<120 °C ; FPM<160 °C

**Main external and connection dimension**





Office Address  
 SAIF ZONE | PO Box 8047  
 Sharjah, UAE.  
 Skype: Unitech Trading (unitechtrading)  
 Tel / Fax 00971-6-544-8882  
 Email <mailto:info@unitechtrading.com>

**PRODUCT - CHECK VALVE**

**Silent Lift Check Valve**

DN	L	Flange dimensions comply with GB/T17421.6-1998										
		O		C		g		f	b		n-d	
		1.0MPa	1.6MPa	1.0MPa	1.6MPa	1.0MPa	1.6MPa		1.0MPa	1.6MPa	1.0MPa	1.6MPa
50	120	165	165	125	125	99	99	3	19	19	4-19	4-19
65	150	185	185	145	145	118	118	3	19	19	4-19	4-19
80	180	200	200	160	160	132	132	3	19	19	8-19	8-19
100	229	220	220	180	180	156	156	3	19	19	8-19	8-19
125	254	250	250	210	210	184	184	3	19	19	8-19	8-19
150	267	285	285	240	240	211	211	3	19	19	8-23	8-23
200	292	340	340	295	295	266	266	3	20	20	8-23	12-23
250	330	395	405	350	355	319	319	3	22	22	12-23	12-28
300	356	445	460	400	410	370	370	4	24.5	24.5	12-23	12-28
350	381	505	520	460	470	429	429	4	24.5	24.5	16-23	16-28